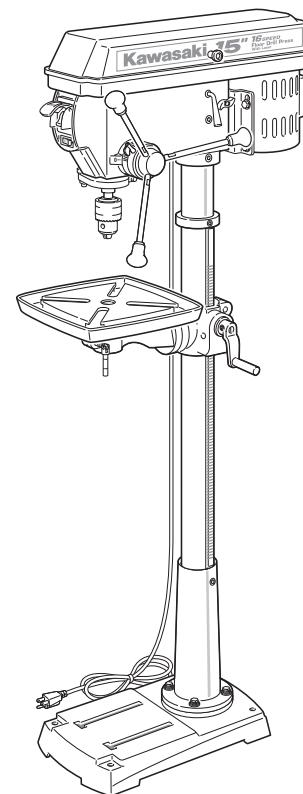


MODEL
#840091

Kawasaki™

15" FLOOR DRILL PRESS

INSTRUCTION MANUAL



THIS MANUAL CONTAINS IMPORTANT INFORMATION REGARDING SAFETY, OPERATION, MAINTENANCE AND STORAGE OF THIS PRODUCT. BEFORE USE, READ CAREFULLY AND UNDERSTAND ALL CAUTIONS, WARNINGS, INSTRUCTIONS AND PRODUCT LABELS. FAILURE TO DO SO COULD RESULT IN SERIOUS PERSONAL INJURY AND/OR PROPERTY DAMAGE.

IF YOU SHOULD HAVE ANY QUESTIONS OR EXPERIENCE A PROBLEM WITH YOUR ALLTRADE PRODUCT, DO NOT RETURN THIS PRODUCT TO THE STORE. PLEASE CALL OUR CUSTOMER SERVICE DEPARTMENT AT **1-800-590-3723**. BEFORE YOU CALL, HAVE THE FOLLOWING INFORMATION AVAILABLE: MODEL No., DATE PURCHASED AND STORE LOCATION. AN ALLTRADE REPRESENTATIVE CAN RESOLVE YOUR PROBLEM OVER THE PHONE. IF YOU WOULD LIKE TO MAKE A SUGGESTION OR COMMENT, GIVE US A CALL OR EMAIL US AT: INFO@ALLTRADETOOLS.COM. YOUR FEEDBACK IS VITAL TO US.

Kawasaki

Kawasaki Motors Corp., U.S.A.

OFFICIAL • LICENSED • PRODUCT

87-1904-60957

KAWASAKI™ IS A TRADEMARK LICENSED BY KAWASAKI™ MOTORS CORP., U.S.A., WHICH DOES NOT MANUFACTURE OR DISTRIBUTE THIS PRODUCT. CONSUMER INQUIRES SHOULD BE DIRECTED TO:

©COPYRIGHT 2006 ALLTRADE TOOLS, LLC.
1431 VIA PLATA
LONG BEACH, CA 90810-1462 USA

840091 – 15" Floor Drill Press - Rev. 8/22/06

FOR CUSTOMER SERVICE
POUR LE SERVICE APRÈS VENTE
OU DU CONSOMMATEUR
PARA EL SERVICIO
PARA EL CONSUMIDOR
1-800-590-3723

Printed in China

TABLE OF CONTENTS

| | |
|---|-------|
| CONGRATULATIONS! | 2 |
| INTENDED USE | 2 |
| SECTION ONE | |
| RECOGNIZE SAFETY SYMBOLS, WORDS AND LABELS | 2-3 |
| IMPORTANT SAFEGUARDS | 3 |
| SECTION TWO | |
| GENERAL SAFETY RULES – FOR ALL ELECTRIC POWER TOOLS | 4-5 |
| GROUNDING INSTRUCTIONS | 5-6 |
| EXTENSION CORD USAGE | 6 |
| IMPORTANT SAFETY RULES FOR DRILL PRESSES | 7-10 |
| SYMBOLS | 10 |
| SECTION THREE | |
| FUNCTIONAL DESCRIPTION | 11 |
| ASSEMBLY | 12-20 |
| COLUMN AND TABLE HARDWARE ASSEMBLY | 13-14 |
| INSTALLING THE TABLE ASSEMBLY | 15 |
| INSTALLING THE VISE ASSEMBLY | 15 |
| INSTALLING THE HEAD ASSEMBLY | 16 |
| INSTALLING BELT GUARD KNOB | 16 |
| INSTALLING THE CENTER PULLEY | 17 |
| ADJUSTING THE DRIVE PULLEYS | 17-18 |
| INSTALLING THE DRIVE BELTS | 18 |
| INSTALLING THE FEED HANDLES | 19 |
| INSTALLING THE DRILL CHUCK | 19 |
| SQUARING THE WORKTABLE | 20 |
| INSTALLING THE WORK LIGHT | 21 |
| LASER GUIDE | 21-23 |
| LASER SAFETY | 21-22 |
| OPERATING THE LASER | 22-23 |
| OPERATING INSTRUCTIONS FOR THE DRILL PRESS | 23-31 |
| INSERTING THE DRILL BIT | 25-26 |
| ADJUSTING THE TABLE HEIGHT | 26 |
| ADJUSTING THE TABLE TILT | 26-27 |
| ROTATING THE WORKTABLE | 27 |
| ADJUSTING THE DRILL PRESS SPINDLE SPEED | 27 |
| SETTING THE DRILLING DEPTH ADJUSTMENT | 28 |
| ADJUSTING THE SPINDLE RETURN SPRING | 28-29 |

| | |
|-----------------------------|-------|
| USING THE DRILL PRESS | 29 |
| DRILLING WOOD | 29-30 |
| DRILLING METAL | 30-31 |

SECTION FOUR

| | |
|---|----|
| MAINTENANCE AND CLEANING | 31 |
| TROUBLE SHOOTING | 33 |
| ACCESSORIES | 33 |
| SPECIFICATIONS | 34 |
| OTHER CONSUMER DO-IT-YOURSELF (DIY) TOOLS | 34 |

SECTION FIVE

| | |
|-------------------------------|-------|
| 3 YEAR LIMITED WARRANTY | 35-38 |
|-------------------------------|-------|


CONGRATULATIONS!

Thanks for choosing this product. At Alltrade, our aim is to provide you with quality products at an affordable price, and we want you to be totally satisfied with your product and our Customer Service. If any help and advice is needed, please contact us at 1-800-590-3723. Properly cared for, this product will give you many years of satisfaction.

INTENDED USE

This product is intended for consumer use only. This tool is not designed for professional use. The power cord should only be used in approved electrical outlets as described in this manual. Failure to use the proper power cords and/or extension cords may result in fire or possible damage to the tool.

RECOGNIZE SAFETY SYMBOLS, WORDS AND LABELS

 **WARNING** **READ AND UNDERSTAND ALL INSTRUCTIONS.** Failure to follow all instructions in this manual may result severe personal injury or death. Keep this manual and refer to it for Safety Instructions, Operating Procedures and Warranty.

The safety instructions provided in this manual are not intended to cover all possible conditions and practices that may occur when operating, maintaining and cleaning power equipment.

Always use common sense and pay particular attention to all the **DANGER**, **WARNING**, **CAUTION** and **NOTE** statements of this manual.



This is the safety alert symbol. It is used to alert you to potential personal injury hazards. Obey all safety messages that follow this symbol to avoid possible injury or death.

⚠ DANGER

DANGER indicates an imminently hazardous situation which, if not avoided, will result in death or serious injury.

⚠ WARNING

WARNING indicates a potentially hazardous situation which, if not avoided, could result in death or serious injury.

⚠ CAUTION

CAUTION indicates a potentially hazardous situation which, if not avoided, may result in minor or moderate injury.

CAUTION

CAUTION used without the safety alert symbol indicates a potentially hazardous situation which, if not avoided, may result in property damage.

NOTE

NOTE provides additional information that is useful for proper use and maintenance of this tool. If a NOTE is indicated make sure it is fully understood.

IMPORTANT SAFEGUARDS

⚠ DANGER

People with electronic devices, such as pacemakers, should consult their physician(s) before using this product. Operation of electrical equipment in close proximity to a heart pacemaker could cause interference or failure of the pacemaker.

WARNING: Some dust created by power sanding, sawing, grinding, drilling and other construction activities contains chemicals known to the State of California to cause cancer, birth defects or other reproductive harm.

Some examples of these chemicals are:

- Lead from lead-based paints.
- Crystalline silica from bricks and cement and other masonry products, and arsenic and chromium from chemically-treated lumber.

Your risk from these exposures varies, depending on how often you do this type of work. To reduce your exposure to these chemicals: work in a well ventilated area, and work with approved safety equipment, such as dust masks that are specially designed to filter out microscopic particles.

WARNING: Handling the power cord on corded products may expose you to lead, a chemical known to the State of California to cause cancer and birth defects or other reproductive harm. ***Wash hands after handling.***

SAVE THESE INSTRUCTIONS FOR FUTURE REFERENCE.

GENERAL SAFETY RULES – FOR ALL ELECTRIC POWER TOOLS

⚠ WARNING

READ AND UNDERSTAND ALL INSTRUCTIONS. Failure to follow all instructions listed below may result in electric shock, fire and/or serious personal injury.

KEEP GUARDS IN PLACE AND IN WORKING ORDER.

REMOVE ADJUSTING KEYS AND WRENCHES. Form a habit of checking to see that keys and adjusting wrenches are removed from the tool before turning it on.

KEEP WORK AREA CLEAN. Cluttered areas and benches invite accidents.

DO NOT USE TOOL IN A DANGEROUS ENVIRONMENT. Do not use power tools in damp or wet locations, or expose them to rain. Keep work area well lit.

KEEP CHILDREN AWAY. All visitors should be kept a safe distance from the work area.

MAKE YOUR WORKSHOP CHILD PROOF, with padlocks, master switches, or by removing starter keys.

DO NOT FORCE TOOL. The correct tool will do the job better and safer at the rate for which it is designed.

USE THE CORRECT TOOL FOR YOUR APPLICATION. Do not force tool or attachment to do a job for which it was not designed.

ALWAYS USE SAFETY GLASSES. Also use a face mask or dusk mask if cutting operation is dusty. Everyday eyeglasses only have impact lenses, they are **NOT** safety glasses.

SECURE WORK. Use clamps or other practical ways to secure and support the workpiece to a stable platform. Holding the work by hand or against your body is unstable and may lead to loss of control.

DO NOT OVERREACH. Keep proper footing and balance at all times. Proper footing and balance enables better control of the power tool in unexpected situations.

MAINTAIN TOOLS WITH CARE. Keep tools sharp and clean for best and safest performance. Follow instructions for lubricating and changing accessories.

NEVER LEAVE TOOL RUNNING UNATTENDED. TURN POWER OFF. Don't leave tool until it comes to a complete stop.

DISCONNECT TOOLS before servicing and when changing accessories, such as blades, bits, cutters and the like.

⚠ WARNING

REDUCE THE RISK OF UNINTENTIONAL STARTING. Be sure switch is in the “OFF” position before plugging in.

USE RECOMMENDED ACCESSORIES. Consult the owners manual for recommended accessories. The use of improper accessories may cause cause risk of injury.

NEVER STAND ON TOOL. Serious injury could occur if the tool is tipped or if the cutting tool is unintentionally contacted.

CHECK DAMAGED PARTS. Before further use of the tool, a guard or other part that is damaged should be carefully checked to determine that it will operate properly and perform its intended function. Check for alignment of moving parts, binding of moving parts, breakage of parts, mounting and any other conditions that may affect its operation. A guard or other part that is damaged should be properly repaired or replaced.

DIRECTION OF FEED. Only feed work into a blade or cutter against the direction of rotation of the blade or cutter.

GROUNDING INSTRUCTIONS

⚠ WARNING NEVER use appliances or equipment that have motors with automatic reset overload protective devices. These protective devices can cause unexpected startups that can cause property damage, severe personal injury, or death.

The electrical power source for this drill press **MUST** be grounded in order to prevent possible electric shock or even death should the tool malfunction or break down. Grounding provides a path of least resistance for electric current thus reducing the risk of electrical shock. The power source must also use a minimum 20A service. Multiple power tools should never be used on the same circuit at the same time.

⚠ WARNING Failure to properly ground this drill press could result in burns, severe electrical shock, and even death. This is especially true if used in damp or wet locations or near metallic plumbing. The reaction from electrical shock could possibly cause your hands to make contact with the cutting tools.

⚠ CAUTION Not all outlets are properly grounded, regardless of the type of receptacle they have. If you are not sure if the receptacle is properly grounded or not, consult a certified electrician. The AC receptacle must be protected by a dual element time delay or a circuit breaker.

This drill press is equipped with a grounded 3-wire power cord with a 3-prong plug. If the power cord will not fit into the wall plug, an approved adapter can be used as long as it is connected to the center screw in the wall plate. See Figure 1 and the steps below to use an AC grounding adapter:

1. Remove the cover plate mounting screw.
2. Insert the AC grounding adapter into the bottom receptacle so the green grounding lug fits over the screw hole.
3. Install the mounting screw back into the cover plate securely affixing the adapter to the receptacle.

⚠ WARNING Never modify the electrical adapter by cutting off the grounding prong so it will fit into unapproved, un-grounded electrical receptacles. Failure to follow this procedure could result in burns, severe electrical shock, or even death.

If you have questions about connecting the drill press, contact a certified electrician to install the proper circuitry needed for this and other power tools you use.

Repair or replace any damaged electrical wiring **IMMEDIATELY**.

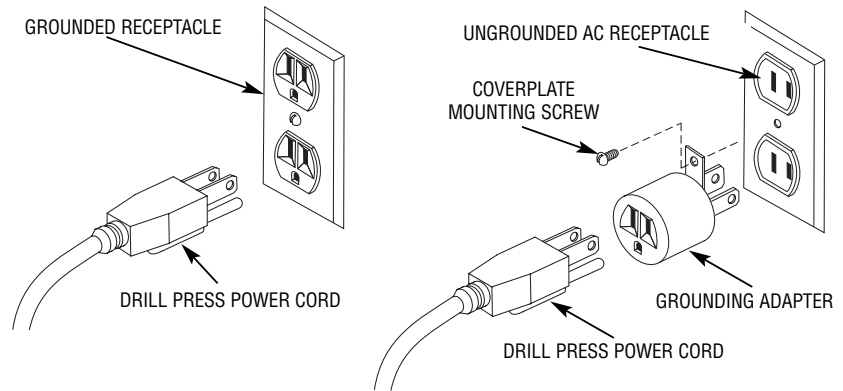


FIGURE 1. CONNECTING THE DRILL PRESS TO THE AC POWER RECEPTACLE

EXTENSION CORD USAGE

Extension cords are not recommended for use with this drill press. Extension cords, if used, must be properly grounded with a 3-prong plug on one and a 3-hole receptacle on the other. **DO NOT use grounding adapters with an extension cord.** Extension cords must be UL listed and use a minimum of 18 A.W.G. wiring. Extension cords should never exceed 25 feet in length. Extension cords, that are too long, cause a voltage drop over the extra distance causing the drill motor to run slower with the possibility of causing damage to the motor. Using extension cords with smaller than the recommended wire gauge run the risk of getting too hot, melting, and/or causing fires. See table, “Extension Cord Specifications”, on page 33.

IMPORTANT SAFETY RULES FOR DRILL PRESSES

WARNING

READ AND UNDERSTAND ALL INSTRUCTIONS. If there are instructions in this manual that are not completely understood, seek the advice of a trained professional or contact Alltrade Customer Service at 1-800-590-3723 before attempting to perform the procedures. Failure to follow all instructions listed in this manual may result in property damage, damage to the tool, or serious personal injury or even death.

DO NOT OPERATE THIS DRILL PRESS until it is completely assembled according to the instructions in this manual. Failure to adhere to these instructions could result in serious and/or permanent injury to the operator.

FOLLOW ALL WIRING CODES. Use only properly grounded three-hole grounded receptacles. **DO NOT** cut the third prong off the power cord. When using an extension cord, use only UL Listed extension cords with minimum 16 AWG wiring and a maximum length of 25 feet. See **ELECTRICAL SAFETY** section in this manual.

MAKE SURE APPROVED EYE PROTECTION IS BEING WORN and properly adjusted and secured at all times the drill press is in use. Everyday eyeglasses only have impact resistant lenses and **ARE NOT** safety glasses. Safety glasses must conform to **ANSI Z87.1** requirements. Approved safety glasses and goggles will have Z87 printed or stamped on them.

KEEP BYSTANDERS, CHILDREN, AND VISITORS at a safe distance from the drill press while it is in operation. Distractions can cause inadvertent misuse resulting in possible injury to the bystanders or to the operator.

WEAR PROPER APPAREL. Do not wear loose clothing, gloves, neckties, rings, bracelets, or other apparel that could possibly become caught in the moving parts of the drill press. When working in a shop environment around power tools, wear nonslip footwear. Use protective hair covering to contain long hair.

KEEP THE WORK AREA CLEAN AT ALL TIMES. Cluttered areas around the drill press can cause unexpected accidents if the debris comes in contact with the moving parts of the drill press.

MAINTAIN A PROPER WORK ENVIRONMENT. Do not operate the drill press in damp or wet locations or expose it to rain. Water can cause the electrical components to malfunction resulting in damage to the drill press and/or serious injury or death to the operator.

ALWAYS USE APPROVED TABLE CLAMPS AND VICES to clamp work pieces to the drill press table to prevent breakage, damage to the drill press, the work piece, and possible severe injury to the operator. **Contact Alltrade Customer Service at 1-800-590-3723 (toll free) for authorized accessories.**

WARNING

USE ONLY DRILL BITS, SANDING DRUMS, AND OTHER ACCESSORIES that are designed for the various speeds of this drill press. The drill bits, sanding drums and other accessories should have a shank size **1/2" OR SMALLER**. Unsuitable drill bits can break without warning throwing fragments outward at high speeds possibly causing severe injuries. Contact Alltrade Customer Service at 1-800-590-3723 (toll free) for authorized drill bit specifications.

USE RECOMMENDED SPEED for drill accessory and workpiece material.

DO NOT FORCE THE TOOL. The drill press will do a better job and be safer if drilling operations are performed at the proper speeds as expressed in this manual.

USE ONLY THE CHUCK KEY THAT IS PROVIDED with the drill press or a duplicate of it to reliably secure the drill bit inside the chuck.

REMOVE CHUCK KEYS AND OTHER ADJUSTMENT TOOLS from the areas around the drill press before turning the power switch to the "ON" position.

DO NOT USE A DRILL BIT THAT WOBBLER OR VIBRATES. Visually inspect the drill bits before they contact the work piece ensuring there are no side-to-side movements. Should the drill bit wobble from side-to-side or if the tip appears broken, **replace them immediately**. If the vibration still exists, check the bearings and the motor shaft and repair or replace them as soon as possible. **EXCESSIVE VIBRATION** can cause severe damage to both the work piece and the drill press.

ADJUST THE TOOL TABLE BEFORE EACH USE. The tool table should be tightened and placed at the proper angle for the drilling job before the drill press is put into use. If not properly adjusted, the work piece can unexpectedly move causing the drill bit to seize resulting in damage to it or possible severe injury to the operator.

DO NOT STAND DIRECTLY IN FRONT OF THE DRILL PRESS when it is first turned on. Loose fragments could fly off at high speeds possibly causing injury.

PROPERLY SUPPORT EXTRA LONG OR EXTRA WIDE WORK PIECES. Work pieces that are too long or too wide can tip and cause the drill bit to seize resulting in a sudden whipping motion resulting in damage to the work piece and drill press as well as possible severe injury to the operator.

NEVER START THE DRILL PRESS WITH THE WORK PIECE IN CONTACT WITH THE DRILL BIT. The sudden start-up of the drill bit could cause it to seize resulting in a sudden, rapid spinning motion that could damage the work piece, the drill press, and/or serious injury to the operator.

⚠ WARNING

DISCONNECT THE DRILL PRESS POWER CORD FROM THE AC OUTLET before making adjustments to the worktable, clamps, vises, work pieces, changing drill bits, or changing the speed of the drill motor preventing the tool from accidentally turning on. Failure to adhere to this step could result in damage to both the work piece and the drill press as well as possible severe injury to the operator.

THOROUGHLY CLEAN THE DRILL PRESS before changing types of work pieces. Combining wood and metal dust can result in an explosion or fire. **CONSULT EXPERT** advice before drilling in work pieces made of magnesium. The friction generated by the drill bit could the magnesium to ignite resulting in a very intense fire that could cause severe burns to the operator and/or seriously damage the drill press.

NEVER PERFORM DRILLING OPERATIONS NEAR FLAMMABLE GAS OR LIQUIDS. The resulting fire and/or explosion could cause permanent serious injuries to the operator and damage to the drill press and surrounding work area.

ALWAYS KEEP ARMS, HANDS, AND FINGERS away from the work piece while it is on the table and the drill press is turned on. Severe injury could result.

ALWAYS CLAMP THE WORK PIECE FIRMLY AGAINST THE WORK TABLE. Never attempt to hold the workpiece by hand. The drill bit can seize in the work piece causing it to spin rapidly. This will cause loss of control of the work piece resulting in severe injuries or damage to the work piece and drill press.

NEVER APPLY A COOLANT directly to the work piece while it is in contact with the drill bit. Coolant can weaken the makeup of the drill bits causing them to fail.

NEVER PERFORM LAYOUT OR ASSEMBLY to work pieces in front of the drill press while it is still running. A sudden slip could bring hands in contact with the moving parts of the drill press resulting in injury to the operator.

REDUCE THE RISK OF UNINTENTIONAL STARTING. Ensure the “ON/OFF” switch is set to the “OFF” position before plugging the power cord into the AC outlet.

TURN THE ON/OFF SWITCH on the drill press to the “OFF” position and unplug the power cord from the electrical receptacle when the drilling operations are finished. Thoroughly clean the area surrounding the drill press making it ready for the next use.

NEVER LEAVE THE DRILL PRESS RUNNING UNATTENDED. when finished with a drilling operation, turn “off” the drill press and wait until it comes to a complete stop.

⚠ WARNING






SECURE THE ELECTRICAL POWER CORD when the drill press is not in use to prevent unauthorized use of the tool and/or to prevent children from accidentally turning it on.

ADDITIONAL INFORMATION about the proper use of bench-mounted drill presses is available from the Power Tool Institute, 1300 Sumner Avenue, Cleveland, OH 44115-2851 (www.powertoolinstitute.com). Information is also available from the National Safety Council, 1121 Spring Lake Drive, Itasca, IL 60143-3201. Additionally, you can refer to the American National Standards Institute (ANSI) 01.1 Safety Requirements for Woodworking Machines and the U.S. Department of Labor OSHA 1910.213 Regulations.

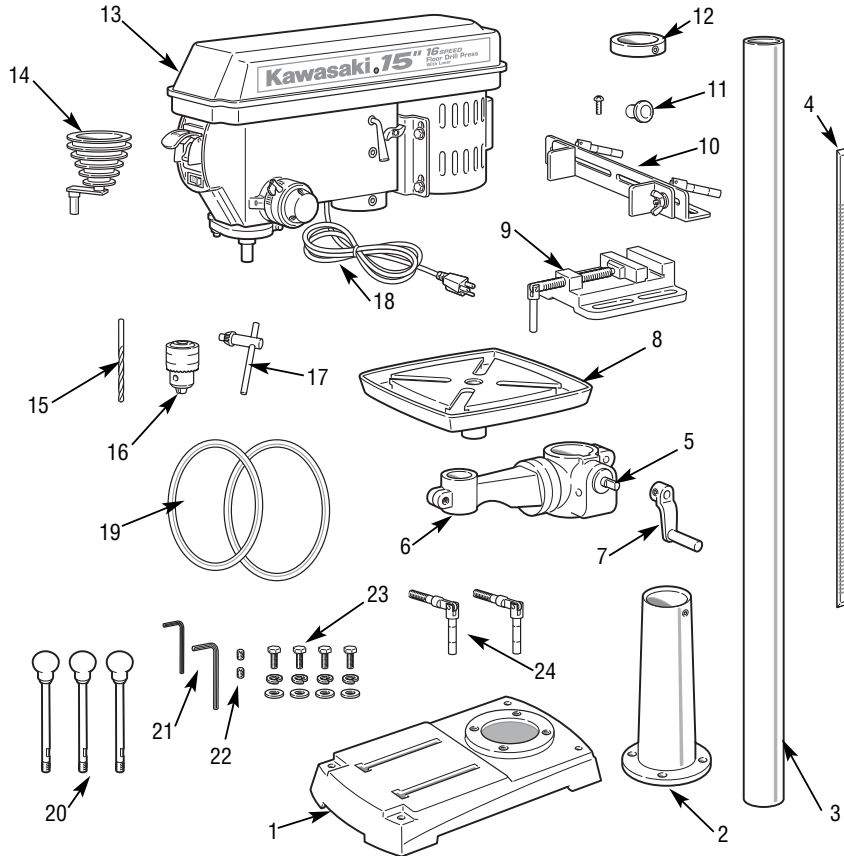
USE COMMON SENSE WHEN OPERATING THIS DRILL PRESS OR OTHER POWER TOOLS. Never try to perform drilling operations on work pieces that are too large to be clamped to the worktable or vises. Keep this manual and refer to it often to ensure proper operation and prevent unnecessary accidents or injuries.

SYMBOLS

IMPORTANT: Some of the following symbols may be used on your tool. Please study them and learn their meaning. Proper interpretation of these symbols will allow you to operate the tool better and safer.

| SYMBOL | NAME | EXPLANATION |
|---|-------------------------------|--|
| V | Volts | Voltage (Potential) |
| A | Amperes | Current |
| Hz | Hertz | Frequency (Cycles per Second) |
| W | Watt | Power |
| Kg | Kilograms | Weight |
|  | Alternating Current | Type of Current |
|  | Direct Current | Type of Current |
|  | Alternating or Direct Current | Type of Current |
|  | Earthing Terminal | Grounding Terminal |
|  | Class II Construction | Denotes Double Insulation |
| min | Minutes | Time |
| s | Seconds | Time |
| φ | Diameter | Size of Drill Bits, Grinding Wheels, etc. |
| n_0 | No load speed | No-load Rotational Speed |
| .../min | Revolutions per Minute | Revolutions, Surface Speed, Strokes, etc. per Minute |
| 1,2,3, ... | Ring Selector Settings | Speed, Torque or Position Settings |

FUNCTIONAL DESCRIPTION



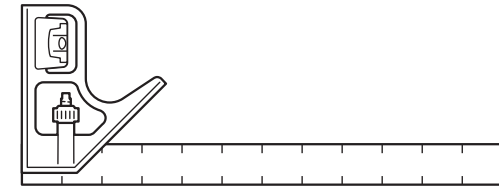
CONTROLS AND COMPONENTS:

- | | |
|-----------------------------|--|
| 1. Column Base | 13. Head Assembly |
| 2. Column Assembly | 14. Center Pulley |
| 3. Column | 15. Drill Bit |
| 4. Column Rack | 16. Drill chuck |
| 5. Table Crank | 17. Chuck Key |
| 6. Table Support | 18. Grounded Power Cord |
| 7. Table Crank Assembly | 19. Drive Belts (2) |
| 8. Work Table | 20. Feed Handles (6) |
| 9. Vise | 21. Hex (Allen) Wrenches (3) |
| 10. Vise Clamp | 22. Head Assembly mtg Hardware |
| 11. Knob (and mtg Hardware) | 23. Column Assembly mtg Hardware |
| 12. Collar | 24. Front and Back Table Support Lock Assemblies |

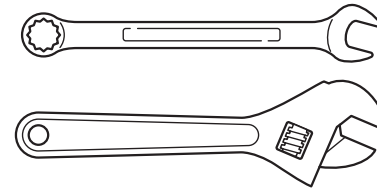
ASSEMBLY

⚠ WARNING DO NOT connect the power cord to the AC receptacle until the drill press is completely assembled and that all cutting tools are securely locked in the chuck.

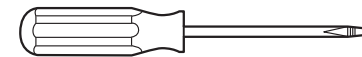
COMBINATION SQUARE



ADJUSTABLE WRENCH



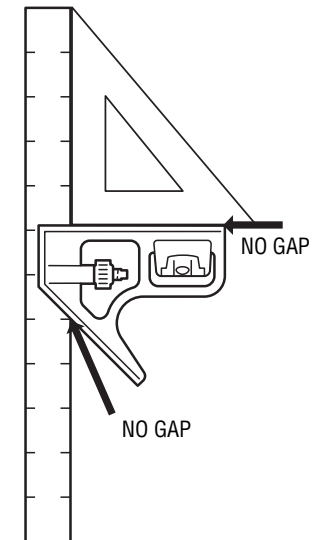
SLOTTED SCREWDRIVER



TOOLS REQUIRED FOR ASSEMBLY

The tools, pictured above, are supplied by the customer. The only requirement is that the combination square be **true**. That is, the sliding ruler and the adjustable head must form a perfect 90° angle. This can be checked by placing the square on the corner of a right triangle. A right triangle can be obtained from a local hardware retailer.

Place the right triangle next to the combination square head and ruler. Loosen the thumbscrew in the square head and adjust it to the right triangle so there are no gaps between the triangle and the combination square.



COLUMN AND TABLE HARDWARE ASSEMBLY

1. Position base on the floor. Remove and discard protective covering.
2. Remove and discard the protective sleeve from the column.
3. Place column assembly on the base.
4. Align holes in column assembly and base.

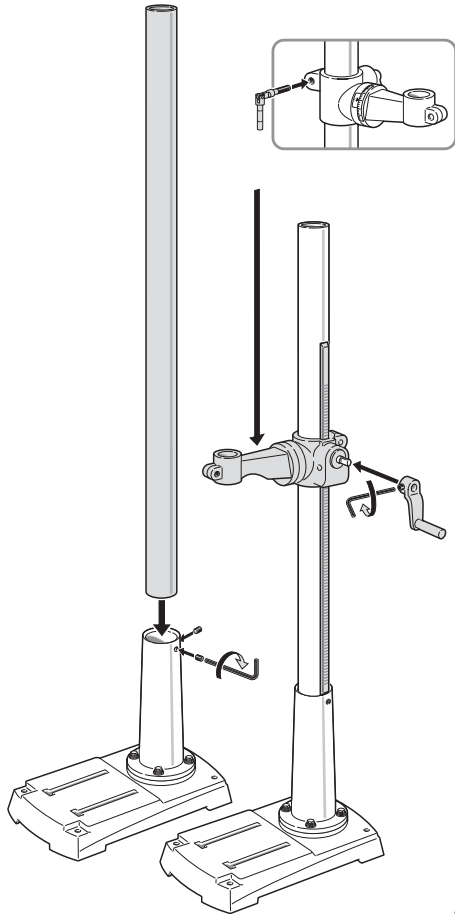


FIGURE 3. ATTACHING SUPPORT LOCK AND TABLE CRANK ASSEMBLIES

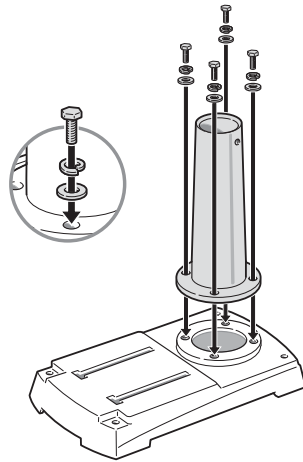


FIGURE 2. ATTACHING BASE AND COLUMN ASSEMBLY

5. Insert the 10mm X 40mm bolts, from the loose parts bag, in each of the four (4) holes. Thread the bolts by hand as far as possible and then securely tighten with the adjustable wrench.
6. From the loose parts box, remove the table crank and table support lock assemblies.
7. Slide the table support assembly down the column.
8. Tighten the table support lock on the left side of table support assembly.
9. Install the table crank assembly on the table support assembly using a 3mm "L" hex wrench (located in the loose parts box).
10. DO NOT over-tighten. Setscrew should tighten against the flat area of the shaft.

CAUTION To minimize crank handle backlash, tighten the support lock, rotate the elevation worm shaft clockwise, assemble the crank tightly against the table support and tighten setscrew.

11. Check column collar for proper adjustment.
12. Collar should not be aligned on the column.
13. Position rack so it will slide freely in the collar when rotated 360 (around column table).
14. When re-adjusting, only tighten collar setscrew tight enough to hold it place.

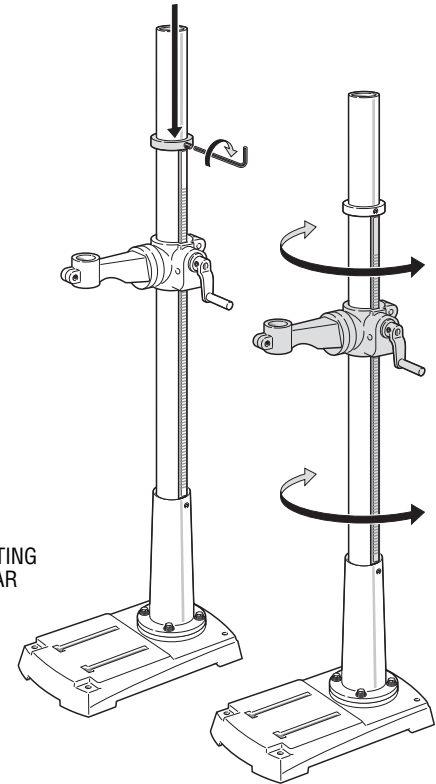
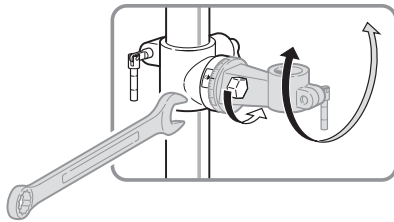


FIGURE 4. ADJUSTING COLUMN COLLAR

CAUTION Avoid damage to the collar and the column by not over-tightening the setscrew.

INSTALLING THE TABLE ASSEMBLY

1. Loosen the support lock.
2. Raise the table support, by turning the table crank clockwise, until working height is attained.
3. Tighten the support lock.



4. Remove and discard the protective covering from the table assembly.
5. Place the table in the table support.
6. Tighten the table lock, located under the table, by hand.

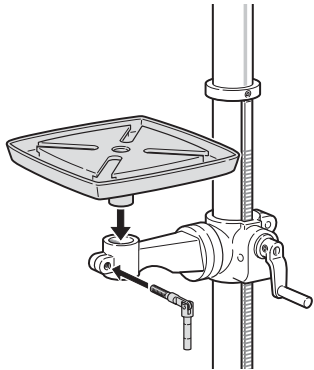


FIGURE 5. INSTALLING THE TABLE ASSEMBLY

NOTE

Should the table not fit into the table support freely, carefully pry the table support open slightly using a slotted screwdriver.

INSTALLING THE VISE ASSEMBLY

1. Place the two metal squares of the clamp assembly into two corners of the table and align the tapered edge of the squares with the grooves.
2. Align the long slots on the base of the clamp over the openings in the metal squares.
3. Place a washer over the threaded end of each lock handle. Insert the lock handles into the metal squares. Tighten handles loosely.
4. Position the clamp as needed on the table and fully tighten the lock handles to secure the clamp.
5. Loosen the wing nut to move the small support on the front of the clamp into position. Tighten the wing nut to secure.

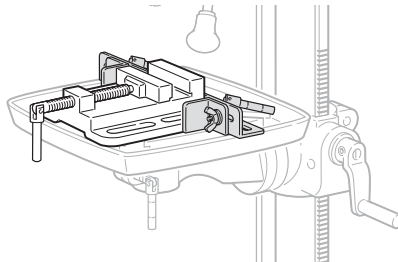


FIGURE 6. INSTALLING THE VISE ASSEMBLY

INSTALLING THE HEAD ASSEMBLY

CAUTION The Head Assembly weighs approximately 55 pounds. Use caution when lifting it onto the column assembly. It is recommended that two people lift the head assembly onto the column.

1. Remove and discard the protective bag from head assembly.
2. Carefully lift head assembly above the column tube. See CAUTION above.
3. Lower the head assembly onto the column tube and slide down as far as possible.
4. Align the head assembly with the work-table and base. See Figure 7.
5. Locate the (2) two 10 mm X 12mm set screws in the loose parts bag.
6. Install the setscrews in the holes on the right side of the head assembly.
7. Using a 5mm "L" hex wrench (located in the loose parts box) securely tighten the setscrews.

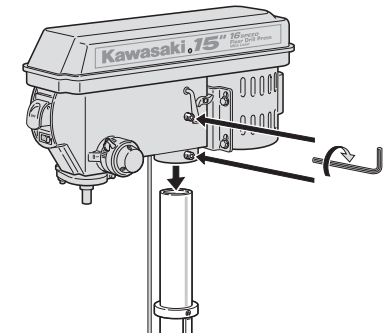


FIGURE 7. INSTALLING THE HEAD ASSEMBLY

INSTALLING BELT GUARD KNOB

WARNING To avoid possible injury, always keep the belt guard closed during drill press operation. Failure to do so could result in serious injury.

1. Remove the belt guard knob and 5mm X 12mm pan head screw from the loose parts bag.
2. Open the belt guard and install the knob using the hole provided.

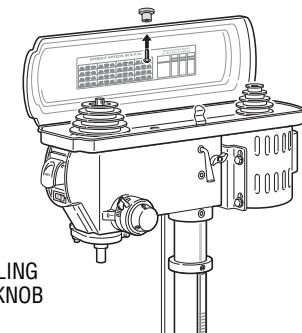


FIGURE 8. INSTALLING THE BELT GUARD KNOB

INSTALLING THE CENTER PULLEY

The head assembly contains three pulleys. The first pulley is on the spindle shaft and the third pulley is on the motor shaft. The center pulley acts as an idler pulley making the installation and removal of belts easier. This pulley plays an essential role in allowing the operator a safe way to easily change speeds of the drill press to match the needs for the job.

1. Install the center pulley (located in the loose parts bag) and install it in the hole inside the head assembly.

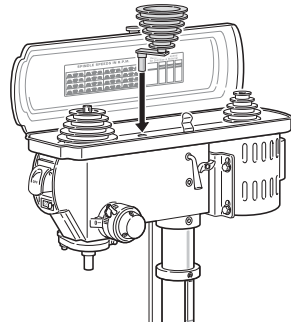


FIGURE 9. INSTALLING THE CENTER PULLEY

ADJUSTING THE DRIVE PULLEYS

CAUTION The drive pulleys on the spindle shaft and the motor shaft may loosen during shipment. It is crucial that these pulleys are the same height on their respective shafts. Failure to square these pulleys could result in premature belt wear or damage to the motor and spindle bearings or both.

1. Lay a straightedge across the tops of the three pulleys. If properly adjusted, they should all touch the straightedge.
2. Adjust the pulleys if necessary.
3. To adjust the motor pulley, loosen the setscrew that attaches the pulley to the shaft using a hex wrench.
4. Move the pulley up or down until it is in line with the straightedge. Tighten the setscrew.
5. If the pulley is still not in alignment, using an adjustable wrench, loosen the four (4) bolts holding the motor onto the column bracket.
6. Slide the motor slightly upward and retighten the bolts. Make the final adjustments by repeating steps 1 through 4.
7. To adjust the spindle pulley, loosen the setscrew with a hex wrench and slightly move the pulley upward or downward until it is in line with the straightedge. Tighten the setscrew.

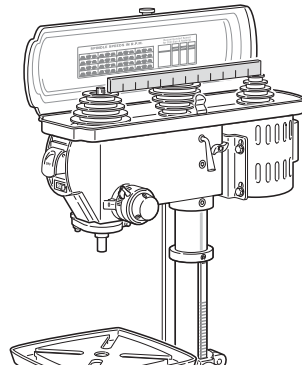


FIGURE 10. ADJUSTING THE DRIVE PULLEYS

8. When finished, recheck the alignment of all three pulleys with the straightedge ensuring they are all the same. Make any final adjustments necessary.

INSTALLING THE DRIVE BELTS

1. Remove the (2) two V-belts from the loose parts bag.
2. Open the belt guard. Select the proper belt orientation for the correct speed for the drilling operation from the speed chart located on the inside top of the belt guard.
3. The longer of the two V-belts always goes from the spindle pulley to the center idler pulley.
4. The shorter of the two V-belts always goes from the idler pulley to the motor pulley. This belt is always installed first.

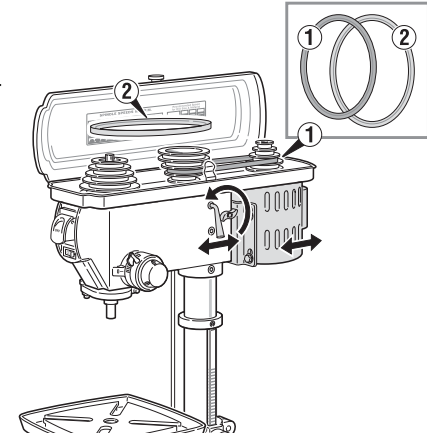


FIGURE 11. INSTALLING THE DRIVE BELTS

5. Loosen the tension lock knob (located on the right side of the head as you face toward the rear) in a counter-clockwise direction.
6. Moving the motor toward the front of the drill press, slide the shorter of the V-belts over the idler pulley and the motor pulley.
7. Slide the longer of the V-belts over the idler pulley and the spindle pulley.
8. Move the motor towards the rear of the drill press and tighten belt tension lock knob.
9. The V-belts should deflect about 1/2" thumb pressure at the center for proper tension.
10. Should the drive belts slip during drilling operations, re-tension the drive belts.

CAUTION Over-tensioning a drive belt may cause the motor to not start or may cause damage to the motor bearings or the spindle bearings. If you suspect there may be bearing damage, contact Alltrade Customer Service at 1-800-590-3723. Do not attempt to make repairs yourself.

INSTALLING THE FEED HANDLES

1. Locate the (3) three feed handles in the loose parts box.
2. Screw the feed handles into the threaded holes in the pinion shaft located on the head assembly just above the drill chuck.
3. Tighten the feed handles.

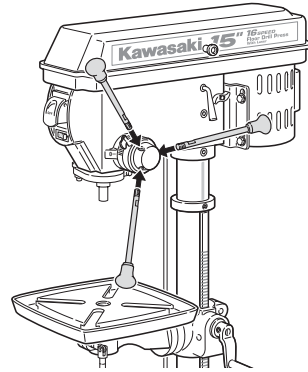


FIGURE 12. INSTALLING THE FEED HANDLES

INSTALLING THE DRILL CHUCK

⚠ WARNING The slightest piece of dirt or debris on either the arbor shaft or the drill chuck can cause the shaft to wobble. Should the drill chuck wobble, the drilling operation will not be smooth and the added tension could cause the cutting tool to break sending pieces of metal flying in many directions. Failure to follow this step could lead to severe damage to the drill press and possibly severe injury to the operator.

1. Locate the drill chuck in the loose parts box.
2. Thoroughly clean out the tapered hole in the drill chuck.
3. With a clean cloth, thoroughly clean the arbor shaft. Ensure there is no debris or burrs on the shaft.
4. Slide the drill chuck over the arbor shaft as tightly as possible.
5. Turn the chuck sleeve clockwise and completely open the chuck jaws.
6. Unlock and raise the worktable until it is approximately two (2") below the chuck.
7. Turn the feed handles counterclockwise bringing the drill chuck down against the table.
8. Press the drill chuck against the worktable until it is completely pressed onto the arbor shaft.

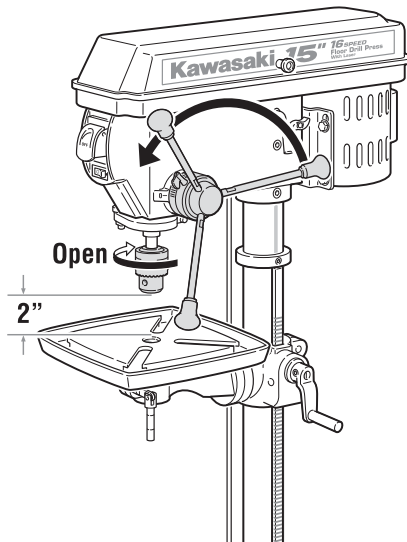


FIGURE 13. INSTALLING THE DRILL CHUCK

SQUARING THE WORKTABLE

⚠ CAUTION The combination square must be "true" when used to square the worktable. See Tools Required for Assembly. This is essential in order to do precision drilling.

1. Insert a straight, ground steel rod, approximately 3" long (not included) into the drill check and tighten.
2. Raise the table to working height.
3. Place the combination square on the table surface with the ruler portion setting beside the ground rod. There should be no gaps from either the table side or the rod side indicating a true 90 degrees.
4. Should an adjustment be necessary, loosen the setscrew beneath the table bevel lock with the 3 mm hex wrench.
5. Using an adjustable wrench, loosen the bolt on the front of the table bevel lock.
6. Align the table by rotating it until the combination square and the ground rod are in line.
7. Set the scale on the table bevel lock so the "0" reading is in line with the pointer on the table support.
8. Using an adjustable wrench, re-tighten the bolt on the front of the table bevel lock.
9. Using the 3 mm hex wrench, re-tighten the setscrew on the bottom of the table bevel lock.

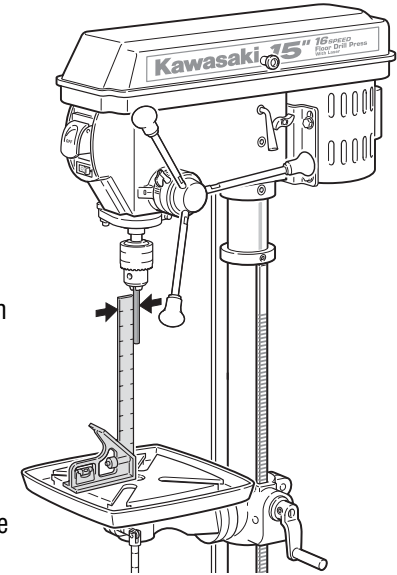


FIGURE 14. SQUARING THE WORKTABLE

⚠ CAUTION The scale and pointer on the table bevel lock are only for approximate degree setting. ALWAYS use a square or precision protractor (available from a hardware retailer) to make precision drilling operations.

INSTALLING THE WORK LIGHT

1. Insert a maximum 60 watt bulb into the socket on the bottom side of the Head Assembly.

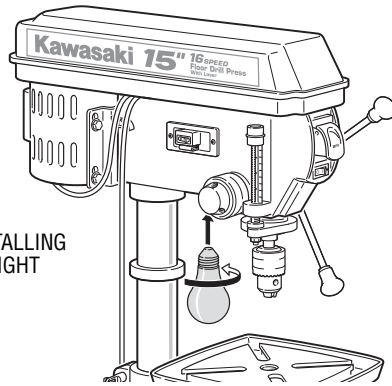


FIGURE 15. INSTALLING THE WORK LIGHT

LASER GUIDE

CAUTION Use of controls or procedures, or performance of procedures other than those specified herein may result in hazardous radiation exposure.

LASER SAFETY

WARNING

NEVER LOOK INTO THE LASER BEAM. Any contact with the eyes by the beam could cause injury. Do not use the laser when cutting reflective materials.

DO NOT AIM THE LASER BEAM AT ANYONE OR AT REFLECTIVE SURFACES. CLASS 2M LASER PRODUCT. Any contact with the eyes by the beam could cause injury. Ensure the laser beam is turned on only when the tool is on a non-reflective workpiece and as such it is aimed only at the work surface. Metals and other materials like steel which can be highly reflective should only be cut without the use of the laser.

STORE OUT OF REACH OF CHILDREN. Equipment should be in a high location or locked up to keep out of reach of children. It is not a toy.

DO NOT TAMPER WITH THE LASER OUTPUT. Changing the performance of the laser to increase its output is prohibited. Any claim for damages or injuries resulting from not following these instructions will be refused.

OPERATION ACCESSIBLE FIELDS:

| | |
|--------------------------------|-----------|
| Wavelength | 636-660nm |
| Laser Power for Classification | <1mW CW |

WARNING

NEVER OPERATE LASER IF THE UNIT IS DEFECTIVE OR THE COVER OR SEAL IS DAMAGED.

DO NOT SERVICE LASER. The laser unit must be returned to the factory for any service or repair. Service or repair must be handled by authorized factory trained technicians.

Do not open the laser unit except to change batteries.

REMOVE BATTERIES IF THE LEVEL IS TO BE STORED FOR ANY LENGTH OF TIME. Batteries may leak and damage the laser if it is stored idle for more than 3 months.

Be careful with this tool. Striking or jarring it, especially on the laser housing, can affect its accuracy.

Other than batteries, there are no user-serviceable parts in the laser device.

LASER LIGHT
DO NOT VIEW DIRECTLY WITH OPTICAL
INSTRUMENTS (MAGNIFIERS)
CLASS 2M LASER PRODUCT
635-660nm, <1mW CW
CLASSIFIEDS PER IEC 60825-1, Ed. 1.2, 2001-08

LASER RADIATION
CAUTION LABEL

AVOID EXPOSURE - LASER LIGHT IS
EMITTED FROM THIS APERTURE"



OPERATING THE LASER

WARNING Do not stare directly into the Laser beam, aperture or into a reflection from a mirror-like surface.

The laser runs on two AAA batteries which are located beneath the "ON/OFF" switch.

When the laser light begins to dim, change both batteries. NEVER mix old batteries with new.

TO CHANGE LASER BATTERIES:

1. Open battery compartment cover.
2. Make sure batteries are correctly positioned according to the positive/negative markings on the compartment.
3. Close cover.

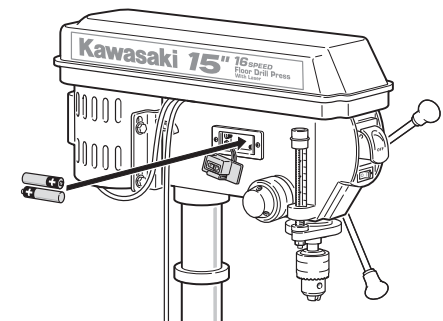


FIGURE 16. REPLACING LASER BATTERIES

USING THE LASER LIGHT:

1. Place the workpiece on the table.
2. Turn the laser switch to the ON position.
3. Lower the drill bit to meet the workpiece. The two laser lines should cross where the drill meets the workpiece.
4. If the drill needs to be adjusted:
 - Using a 3mm hex key, turn the laser adjustment set keys counter-clockwise.
 - Rotate the laser light housing until the two laser lines intersect where the drill meets the workpiece. DO NOT stare directly at the laser lines.
5. Re-tighten the adjustment set screws.

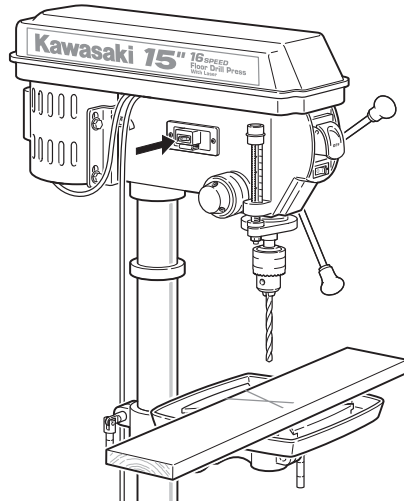


FIGURE 17. ADJUSTING THE LASER LIGHT

OPERATING THE DRILL PRESS

⚠ WARNING

The drill press is extremely top-heavy. For this reason, it is recommended that the drill press be mounted to the work shop floor. The drill press **MUST** be mounted on a level floor. Use shims to adjust the mounting to ensure it is level. The drill press should also be mounted so that there is adequate clearance completely around it. Failure to follow this **WARNING** could result in damage to the drill press, severe injury, or even death to the operator.

To avoid being caught by the spinning tools, **NEVER** wear loose clothing, a necktie, or jewelry while operating the drill press. **ALWAYS** tie back long hair to ensure the spinning tool doesn't catch it. **NEVER** wear gloves if the workpiece is too short to be stopped by the column in the event it should come unsecured during drilling operations.

When drilling materials that produce dust, an appropriate dust mask or respirator should be worn.

⚠ WARNING

It is recommended that an approved ANSI full-face shield, that is impact resistant, be worn during all drill press operations. Should the full-face shield not be available, approved ANSI safety glasses with impact resistant lenses and side shields **MUST** be used as a substitute. **DO NOT** use normal glasses. If prescription glasses are necessary, wear ANSI approved goggles that will cover the glasses and protect the eyes on all sides. Safety glasses do not offer the overall protection around the eyes needed. Both the full-face shield and safety goggles must meet ANSI Z87.1 specifications. Failure to observe this **WARNING** could result in severe injury to the eyes or even blindness.

Never attempt to brush wood dust or metal shavings away from the workpiece while the drill press is in operation. **ALL** clean up should be done after the machine has been turned off.

⚠ CAUTION

Non-slip footwear or safety shoes are recommended when operating the drill press. Wood dust and metal shavings can be slippery and often cause falls or other injuries when working with power tools.

The motor on this drill press is rated at 1750 RPM and is pre-wired for operation on 115/125 VAC, 60 Hz. This motor **MUST NEVER** be converted to 230 VAC. **DO NOT** install a motor that is convertible from 115/125 VAC to 230 VAC on this drill press.

DO NOT attempt to perform any drilling operations until the worktable is securely locked in position with the table lock clamp. Failure to lock the worktable could cause it to unexpectedly tilt causing the workpiece to bind on the drill bit. This could cause severe damage to the drill press and severe injury to operator from pieces of drill bit flying from the broken drill.

Turn the drill press power switch to "OFF" and disconnect the tool from the AC power source before making any adjustments to the drive belts. This step is to eliminate any accidental starting of the motor.

TIP FOR USING THE DRILL PRESS

If the drill press is floor mounted in a permanent location, the AC power could be routed through an approved electrical box that utilizes a throw-switch handle rather than plugging/unplugging the power from the AC receptacle. **This electrical box should be installed by a certified electrician or electrical contractor and installed to all current electrical codes for your specific location.**

INSERTING THE DRILL BIT

CAUTION Do not apply AC power at this time. Preliminary steps must be completed before turning on power to prevent damage to the workpiece and lessen the probability of injuries to the operator.

WARNING Never try to hold the workpiece with just your hands. This could the cutting tool to bind in the workpiece causing it to violently spin resulting in damage to the drill press and injury to the operator.

1. Place the workpiece on the table.
2. Using a vise or clamps, secure the workpiece to the table.
3. Loosen the table support lock and turn the table crank counter-clockwise to lower the table away from the drill chuck.

4. Turn the adjustment sleeve on the drill chuck counter-clockwise to open the jaws and clockwise to close them.
5. Insert a drill bit into the drill chuck. Tighten the jaws around the drill bit by turning the adjustment key. Insert the chuck key into each hole on the drill chuck to tighten each jaw securely against the drill bit.

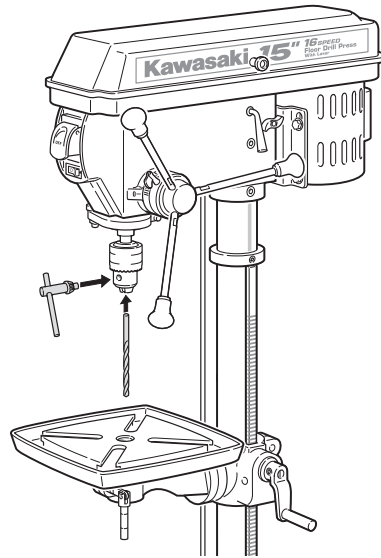


FIGURE 18. INSERTING THE DRILL BIT

6. Loosen the table support lock and turn the table crank clockwise to raise the table and counter-clockwise to lower the table.

CAUTION DO NOT use drill bits that are over 6" inches long in this drill press. Longer drill bits are more prone to break than the shorter bits when pressure is exerted with the feed handles.

7. Set the table height so that the tip of the drill bit will reach the desired depth.
8. Lock the table support lock by turning it clockwise.

9. Grasp the feed handles and rotate them toward the front of the drill press lowering the drill bit onto the workpiece. This step is necessary to ensure the hole will be where it is intended. Make any adjustments necessary.
10. Plug the drill press power cord into the AC power source. Insert the YELLOW key into the ON/OFF switch.

ADJUSTING THE TABLE HEIGHT

WARNING Turn the drill press ON/OFF switch to the OFF position and disconnect the AC power to prevent drill press from accidentally turning on.

1. Loosen the table lock handle.
2. Turn the table crank handle counter-clockwise to lower the worktable and clockwise to raise it.
3. Adjust the worktable to the desired height.
4. Securely lock the table lock handle.
5. Apply the AC power and turn the ON/OFF switch to the "ON" position. Operate the drill press to ensure the worktable is properly adjusted.

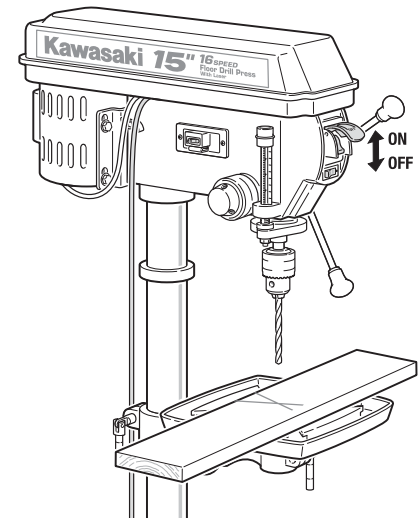


FIGURE 19. ADJUSTING THE TABLE HEIGHT

ADJUSTING THE TABLE TILT

WARNING Turn the drill press ON/OFF switch to the OFF position and disconnect the AC power to prevent drill press from accidentally turning on.

1. Using a 3mm hex wrench, loosen the setscrew under the table bevel lock.
2. Using an adjustable wrench or a 24mm socket, loosen the table bevel lock.
3. Rotate the table to the desired tilt. Use the pointer and the bevel scale on the table mount to set the table tilt.

⚠ CAUTION The bevel scale settings and pointer on the table mount are only an approximate measurement. Use a magnetic protractor (or similar precision device available from a retail tool supplier) on the tabletop to set the desired tilt angle.

- Using an adjustable wrench or a 24mm socket, tighten the table bevel lock.
- Using a 3mm hex wrench, tighten the setscrew beneath the table bevel lock.
- Apply the AC power and turn the ON/OFF switch to the "ON" position. Operate the drill press to ensure the worktable is properly adjusted.

ROTATING THE WORKTABLE

⚠ WARNING Turn the drill press ON/OFF switch to the OFF position and disconnect the AC power to prevent drill press from accidentally turning on.

- Loosen the table support lock located on the opposite side of the column than the worktable.
- Rotate the table as needed. The worktable will rotate 360 (degrees around the column to make way for work pieces that are too large to fit on the table.






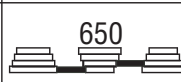

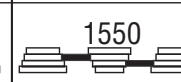




⚠ CAUTION When the worktable is rotated around the column, the elevation rack should move freely about the column. If the rack binds or does not slide freely in the column collar, refer to section 0 and re-install the table support arm and elevation rack.

- Using the table support lock, securely tighten the worktable in place.

ADJUSTING THE DRILL PRESS SPINDLE SPEED

A spindle speed and pulley/belt arrangement chart is posted inside the pulley cover. See the chart below. Refer to this chart whenever spindle speeds need to be changed.

SPINDLE SPEEDS IN RPM

| | | | |
|--|--|--|--|
|  250 |  340 |  390 |  510 |
|  600 |  650 |  990 |  1550 |
|  1620 |  1900 |  2620 |  3100 |

SETTING THE DRILLING DEPTH ADJUSTMENT

⚠ WARNING Turn the drill press ON/OFF switch to the OFF position and disconnect the AC power to prevent drill press from accidentally turning on.

The drilling depth adjustment is used when more than one hole is to be drilled to exactly the same depth (i.e. drilling holes for spindles in a handrail).

- Locate the depth gauge and pointer (on the inner portion of the feed handle hub).
- Loosen the lock screw (located next to the depth gauge).
- Rotate the hub assembly counter clockwise until depth indicator points to the depth the holes are to be drilled to. Once again, the measurements on the depth scale are only an approximate value.
- Apply the AC power and turn the ON/OFF switch to the "ON" position.
- Should the hole need to be drilled to a specific measurement, as possibly specified on a blueprint, set the depth gauge to the desired depth, test on a scrap piece of material, measure the actual hole depth, make any necessary adjustments.
- Lock the lock screw to prevent the measurements from changing.

ADJUSTING THE SPINDLE RETURN SPRING

⚠ WARNING Turn the drill press ON/OFF switch to the OFF position and disconnect the AC power to prevent drill press from accidentally turning on.

The spindle return spring automatically returns the spindle to its upper most position when the feed handles are released. It is recommended the feed handles be allowed to slowly return to their highest position.

⚠ CAUTION The spindle return spring has been properly adjusted at the factory and should not be re-adjusted unless absolutely necessary.

- Loosen the two nuts outside of the spring housing located on the opposite side of the head from the feed handles.
- Firmly grip the spring housing.
- Pull the spring housing out and rotate until the boss engages the next notch in the housing.

4. Turn the housing counterclockwise to increase the tension or clockwise to decrease the tension.
5. Turn the inside nut until it contacts the spring housing. Back the nut off 1/4 turn.
6. Tighten the outside nut against the inside nut to hold the housing in place.

⚠ CAUTION The inside nut should not contact the spring housing when tightened.

USING THE DRILL PRESS

This drill press should use drill bits with a shank size of 5/8" or less in diameter. The operator should practice drilling operations on scrap material until he/she feels comfortable with the machine's operations before attempting regular work.

Use ONLY attachments and accessories recommended by Alltrade Tools. If you are unsure about accessories, call Alltrade Customer Service at 1-800-590-3723.

⚠ CAUTION Whenever the workpiece is long enough, it should be placed on the worktable with one end placed against the left side of the column. This prevents the workpiece from rotating when it comes in contact with the drill bit or cutting tool. This will avoid damage to the workpiece, the drill press, and injury to the operator. Whenever the workpiece is too short to brace against the column, it should be secured to the worktable with clamps or a vise.

DRILLING WOOD

Twist drill bits were originally designed for drilling metal. Twist bits can also be used to drill wood and other materials. The best choice for drilling wood is machine spur bits. These bits cut a flat bottom hole and are designed to efficiently remove wood chips.

⚠ WARNING
DO NOT hand brace bits with a screw tip. The drill press speeds would cause them to screw into the wood so rapidly it would lift the workpiece and cause it to spin. Failure to adhere to this WARNING could result in damage to the workpiece and the drill press as well as severe injury to the operator.
Turn the drill press ON/OFF switch to the OFF position and disconnect the AC power to prevent drill press from accidentally turning on.

DRILLING THROUGH WOOD:

1. Position the workpiece so that the hole to be drilled is over the center hole on the worktable.
2. Place a piece of scrap material under the workpiece to prevent "splintering" on the bottom side of the workpiece.
3. Clamp BOTH the workpiece and the scrap material to the worktable.
4. Select the proper speed for the workpiece material and make any adjustments necessary to the drive belts.
5. Insert the Yellow plastic key lock into the drill press ON/OFF switch. Set the switch to "ON."
6. Rotate the feed handles counterclockwise to lower the drill bit into the workpiece.
7. Continue feeding the drill bit until it bores through the scrap material.
8. Slowly reverse the feed handles until the drill bit has been cleanly removed from the workpiece.
9. Turn the drill press ON/OFF switch to the "OFF" and remove the yellow plastic lock key.

DRILLING METAL

⚠ WARNING
Turn the drill press ON/OFF switch to the OFF position and disconnect the AC power to prevent drill press from accidentally turning on.
When drilling metal, ALWAYS clamp the workpiece to the worktable. NEVER hold it with the bare hands. The drill bit is capable of seizing at any time, especially when breaking through the bottom of the workpiece. When this happens, the workpiece will spin out of the operator's hand and the bit could break. Failure to observe this WARNING could cause severe damage to the drill press and severe injury to the operator.

1. Position the workpiece so that the hole to be drilled is over the center hole on the worktable.
2. Clamp BOTH the workpiece and the scrap material to the worktable.
3. Select the proper speed for the workpiece material and make any adjustments necessary to the drive belts.
4. Insert the Yellow plastic key lock into the drill press ON/OFF switch. Set the switch to "ON."
5. Rotate the feed handles counterclockwise to lower the drill bit into the workpiece.

⚠ CAUTION When drilling metal, it is a good practice to keep the workpiece lubricated. This prevents galling and eventual seizing of the drill bit. Some drill bit models have accessories that automatically lubricate the metal workpiece. Call Alltrade Customer Service at 1-800-590-3723 to see if a lubricating accessory is available for this particular drill press.

6. Slowly reverse the feed handles until the drill bit has been cleanly removed from the workpiece.
7. Turn the drill press ON/OFF switch to the “OFF” and remove the yellow plastic lock key.

MAINTENANCE AND CLEANING

⚠ WARNING

Turn the drill press “ON/OFF” switch to the “OFF” position and remove the YELLOW SECURITY KEY before attempting any maintenance on this tool. Failure to adhere to this Warning could result in damage to the drill press and severe injury or even death to the operator.

Should the AC power cord become cut or frayed in any manner REPLACE IT IMMEDIATELY. Any fraying is a POTENTIAL FIRE HAZARD as well as source for severe electrical shock. Should the AC power cord be damaged near the motor and need to be replaced, contact Alltrade Customer Service at 1-800-423-3598 (toll free). DO NOT ATTEMPT to rewire the motor.

Your KAWASAKI™ Drill Press is virtually maintenance free. The drill press should be cleaned after every usage preventing unwanted debris from interfering new work pieces. On a regular basis, perform the following:

1. Use an air hose and blow any dust that may accumulate in the motor. This is very important if you use the drill press on metal work pieces.
2. Brush all dust and debris away from the worktable.
3. Apply a coat of furniture-type paste wax to the worktable surface and the column. This will allow the components to function better and lessen the chance of rust forming on the metal parts.

LUBRICATION

The ball bearings in the motor are packed in grease at the factory and should require no further lubrication.

1. Apply a thin coating of lithium grease on the table rack. The aerosol type will work fine. This keeps the rack and the table-crank gears from binding. Periodically, remove the grease with a solvent, such as acetone, and re-apply it.
2. Apply a thin coating of lithium grease to the surfaces of the spindle and arbor.

| TROUBLE | PROBABLE CAUSE | SOLUTION |
|---|---|--|
| Noisy operation | <ol style="list-style-type: none"> 1. Incorrect belt tension 2. Dry spindle 3. Loose spindle pulley 4. Loose motor pulley | <ol style="list-style-type: none"> 1. Adjust Tension. See Section Installing the Drive Belts. 2. Lubricate Spindle. 3. Check retaining nut on center pulley. Tighten if necessary. 4. Check setscrews on motor pulley. Tighten if necessary. |
| Drill bit burns | <ol style="list-style-type: none"> 1. Incorrect speed 2. Chips not coming out of hole 3. Drill bit dull 4. Feeding too slow 5. Not lubricated | <ol style="list-style-type: none"> 1. Change speed. 2. Retract drill bit frequently to clear chips. 3. Change drill bits. 4. Increase feeding. 5. Lubricate drill bit. |
| Drill bit leads - holes not round | <ol style="list-style-type: none"> 1. Hard grain in wood 2. Defective drill bit | <ol style="list-style-type: none"> 1. Replace drill bit. 2. Replace drill bit. |
| Wood splinters on underside | <ol style="list-style-type: none"> 1. No “back-up” material under workpiece | <ol style="list-style-type: none"> 1. Clamp workpiece under workpiece. |
| Workpiece is torn from hands | <ol style="list-style-type: none"> 1. Workpiece not supported or clamped properly | <ol style="list-style-type: none"> 1. Clamp workpiece to work table. |
| Drill bit binds in workpiece | <ol style="list-style-type: none"> 1. Workpiece pinching drill bit 2. Excessive feed pressure 3. Improper belt tension | <ol style="list-style-type: none"> 1. Clamp workpiece. 2. Slow feeding speed. 3. Adjust Tension. See Section Installing the Drive Belts. |
| Excessive drill bit run-out or wobble | <ol style="list-style-type: none"> 1. Bent drill bit 2. Worn spindle bearings 3. Drill bit not properly locked in drill chuck 4. Drill chuck not properly installed | <ol style="list-style-type: none"> 1. Replace drill bit. 2. Contact Alltrade Customer Service. 3. Re-set drill bit. 4. Reinstall drill chuck. See Installing the Drill Chuck. |
| Quill returns too slow or too fast | <ol style="list-style-type: none"> 1. Improper spring tension | <ol style="list-style-type: none"> 1. Adjust return spring. |
| Drill chuck fails to remain on arbor spindle. | <ol style="list-style-type: none"> 1. Dirt, grease, or oil on inside surface of drill chuck mounting hole or on outside surface of arbor spindle | <ol style="list-style-type: none"> 1. Clean drill chuck and arbor spindle. See Installing the Drill Chuck. |

TROUBLESHOOTING

⚠ WARNING To avoid any accidental starting of the Drill Press, turn the switch to the “OFF” position, remove the safety key, and unplug the tool from the AC power source.

Should the motor fail to run, for any reason, call Alltrade Customer Service.

ACCESSORIES

Optional accessories for the drill press can include wire-brush wheels that can be used for cleaning and layered cloth wheels that can be used for polishing and buffing. Contact **ALLTRADE Customer Service** at **1-800-590-3723 (toll free)** to find out what accessories are available for the drill press.

⚠ WARNING Only use accessories that are designed to fit your particular drill press. These accessories should be specifically labeled to match the speed and arbor size of the drill. Failure to use the proper accessories could result in property damage, damage to the drill and serious personal injury to the operator.

Always attach grounded (3-prong) extension cords to grounded (3-hole) outlets. If the drill press must be used outside, use an extension cord labeled “W-A” or “W.” These extension cords are rated for outdoor use and reduce the chances of electrical shock.

If you must use an extension cord, be sure that the gauge is large enough to carry the amount of current necessary for your power tool. If not, your tool may experience a loss of power, excessive voltage drop or overheating. The smaller the gauge number, the heavier the cord (see table below).

RECOMMENDED SIZES OF EXTENSION CORDS 120 VOLT AC 60 HZ TOOLS

| TOOL CURRENT RATING | CONDUCTOR SIZE IN A.W.G | | | |
|---------------------|-------------------------|-------|-------|--------|
| AMPERE | 10FT. | 25FT. | 50FT. | 100FT. |
| 3-6 | 18 | 18 | 18 | 18 |
| 6-8 | 18 | 18 | 18 | 16 |
| 8-10 | 18 | 18 | 18 | 14 |
| 10-12 | 16 | 16 | 14 | 14 |
| 12-16 | 14 | 12 | 12 | - |
| 16-20 | 12 | 12 | 12 | - |

SPECIFICATIONS

SPECIFICATIONS

| | |
|---|-----------------------|
| Voltage | 120V 60 Hz |
| Rated Current | 7.8 A |
| No-Load Speed (motor) | 1700 RPM |
| Max. Distance From Spindle Axis To Surface Of Column: | 7 3/4" (197mm) |
| Max. Distance From Spindle End To Surface Of Table: | 26 1/8" (664mm) |
| Spindle Travel: | 3 3/8" (86mm) |
| Chuck Capacity | 5/8" (16mm) |
| Range of Spindle Speeds | 240-3200 RPM |
| Laser Beam | Class II, Diode Laser |
| Average Radiant Power | 1mw |
| Laser Beam Wavelength | 650nm |

OTHER CONSUMER DO-IT-YOURSELF (DIY) TOOLS

Alltrade offers a full range of Kawasaki™ tools that make DIY jobs easy. If you would like further information on the following products, please contact Alltrade Customer Service Department at 1-800-590-3723.

- Cordless Drills/Screwdrivers
- Impact Wrenches
- Sanders
- Jigsaws
- Circular Saws
- Angle Grinders
- Reciprocating Saws
- Routers
- Rotary Tools
- Corded and Cordless Multi-Purpose Tools
- Wide Range of Accessories and more

3 YEAR LIMITED WARRANTY

Express and Exclusive Limited Warranty to Original Retail Buyer

Alltrade Tools LLC (hereinafter "Alltrade") expressly warrants to the original retail purchaser of the accompanying KAWASAKI™ power tool and no one else all parts of the product (except those parts referred to below which are specifically excluded from such warranty (see Exclusions)) to be free from defects in materials and workmanship for a period of three years from original date of purchase, except that such warranty with regard to the battery shall be for a period of two years from original date of purchase, unless the tool is used for commercial or rental purposes.

SPECIAL WARRANTY NOTE FOR COMMERCIAL OR RENTAL USE: The above warranty for this Kawasaki™ power tool, including the battery, shall be effective for only 90 days from the original date of purchase if this tool is used for any **COMMERCIAL OR RENTAL PURPOSE.**

The date of purchase shall be the date of shipment to the original purchaser, or the date the original purchaser took possession, custody or control of the product, whichever occurred first. This warranty shall be null and void if the product or any component thereof is modified or altered. This warranty does not apply to any other product and/or component thereof manufactured or distributed by Alltrade, and does not apply to products and/or components thereof designed, manufactured and/or assembled by others, for which Alltrade makes no warranties whatsoever. **THERE ARE NO WARRANTIES WHICH EXTEND BEYOND THE DESCRIPTION ON THE FACE HEREOF.**

Warranty Performance

By purchasing the product, purchaser expressly acknowledges and agrees that their sole and exclusive remedy under this warranty shall be strictly limited to the repair or replacement of any covered nonconforming items or parts thereof provided that any such nonconforming item and/or part is promptly returned to Alltrade's facility postage pre-paid and insured (address: ALLTRADE Warranty Claims & Repair, 1431 Via Plata, Long Beach, CA 90810, Attn: Customer Service 1-800-590-3723) within the applicable warranty period, with a written request by purchaser that Alltrade repair and/or replace the nonconforming item and/or part. We recommend that you keep the original product packaging in the event you need to ship the unit. We suggest the package be insured against loss or in transit damage. When sending your product include your name, address, phone number, dated proof of purchase (or copy), and a statement about the nature of problem. Warranty coverage is conditioned upon purchaser furnishing Alltrade with adequate written proof that they are the original purchaser and of the original purchase date. Parts returned, freight prepaid and insured, to Alltrade's facility (see above address) will be inspected and, at Alltrade's option, repaired and/or replaced free of charge if

found to be defective and subject to warranty. Alltrade retains the sole discretion to determine whether any item or part is nonconforming and, if so, whether the item and/or part will be repaired and/or replaced. If the unit is repaired, new or reconditioned replacement parts may be used. If Alltrade chooses to replace the product, it may replace it with a new or reconditioned one of the same or comparable design. The repaired or replaced unit will be warranted under the terms of the remainder of the warranty period. Typically, a defective product that is returned within the first 30 days after the purchase date will be replaced; for items returned after the first 30 days and within the warranty period, covered defective parts not subject to normal wear and tear or other exclusions will be repaired or replaced, at Alltrade's option. During the warranty period, Alltrade will be responsible for the return shipping charges. Alltrade's repair and/or replacement of any nonconforming item and/or part thereof shall constitute fulfillment of all obligations to the purchaser. Alltrade shall not be responsible or liable for any expense, including freight charges, or repairs made outside Alltrade's facility, unless expressly agreed to by Alltrade in writing. Under no circumstances shall Alltrade bear any responsibility for loss of the unit, loss of time or rental, inconvenience, commercial loss or consequential damages.

Exclusions

This warranty does not cover parts damaged due to normal wear, abnormal conditions, misapplication, misuse, abuse, accidents, operation at other than recommended pressures or temperatures, improper storage or freight damage. Parts damaged or worn by operation in dusty environments are not warranted. Failure to follow recommended operating and maintenance procedures also voids warranty.

This limited warranty does not apply to accessory items such as drill bits, screwdriving bits, circular saw blades, jigsaw blades, grinding wheels, sanding sheets and other related items.

DAMAGE TO THE PRODUCT RESULTING FROM TAMPERING, ACCIDENT, ABUSE, NEGLIGENCE, FAILURE TO FOLLOW INSTRUCTIONS, UNAUTHORIZED REPAIRS OR ALTERATIONS, DAMAGE WHILE IN TRANSIT TO OUR SERVICE FACILITY, USE OF UNAPPROVED OR IMPROPER ATTACHMENTS OR ACCESSORIES, COMMERCIAL AND RENTAL APPLICATIONS OR OTHER CAUSES UNRELATED TO PROBLEMS WITH MATERIAL OR WORKMANSHIP ARE NOT COVERED BY THIS WARRANTY.

Alltrade will not be liable for the following: labor charges, loss or damage resulting from improper operation, maintenance or repairs made by other persons; pre-delivery services such as assembly, oil or lubricants, and adjustment; maintenance services that are normally required to maintain the product.

The use of other than genuine Alltrade Repair Parts will void warranty.

Warranty Disclaimers

EXCLUSION AND DISCLAIMER OF ALL OTHER EXPRESS WARRANTIES, GUARANTIES AND/OR REPRESENTATIONS. EXCEPT FOR THE LIMITED WARRANTY PROVIDED ABOVE, ALL OTHER EXPRESS WARRANTIES, GUARANTIES AND/OR REPRESENTATIONS BY ALLTRADE AND/OR ITS REPRESENTATIVE(S) REGARDING THE DESIGN, MANUFACTURE, PURCHASE, USE AND/OR OPERATION OF THE PRODUCT OR ANY COMPONENT THEREOF SOLD HEREUNDER, REGARDLESS OF WHETHER ANY SUCH WARRANTY, GUARANTY AND/OR REPRESENTATION, WRITTEN OR ORAL, ARISES BY OPERATION OF LAW AND/OR EQUITY AND/OR BY ANY ACT OR OMISSION OF ALLTRADE AND/OR ITS REPRESENTATIVE(S), OR THE BUYER, ARE HEREBY EXPRESSLY EXCLUDED AND DISCLAIMED BY ALLTRADE AND/OR ITS REPRESENTATIVES. PURCHASER KNOWINGLY AND WILLINGLY WAIVES ANY AND ALL SUCH WARRANTIES AND RIGHTS, CLAIMS AND/OR CAUSES OF ACTION ARISING THEREFROM OR BASED THEREON. PURCHASER'S SOLE AND EXCLUSIVE REMEDY IS AS STATED ABOVE.

EXCLUSION AND DISCLAIMER OF ALL IMPLIED WARRANTIES, INCLUDING THE IMPLIED WARRANTIES OF MERCHANTABILITY AND FITNESS FOR A PARTICULAR PURPOSE. NO WARRANTY, ORAL OR WRITTEN, OTHER THAN THE ABOVE WARRANTY IS MADE WITH REGARD TO THIS PRODUCT. ALL EXPRESS AND/OR IMPLIED WARRANTIES, GUARANTIES AND/OR REPRESENTATIONS BY ALLTRADE AND/OR ITS REPRESENTATIVE(S) REGARDING THE DESIGN, MANUFACTURE, PURCHASE, USE AND/OR OPERATION OF THE PRODUCT OR ANY COMPONENT THEREOF SOLD HEREUNDER, REGARDLESS OF WHETHER ANY SUCH WARRANTY, GUARANTY AND/OR REPRESENTATION, WRITTEN OR ORAL, ARISES BY OPERATION OF LAW AND/OR EQUITY AND/OR BY ANY ACT OR OMISSION OF ALLTRADE AND/OR ITS REPRESENTATIVE(S), OR THE PURCHASER, INCLUDING BUT NOT LIMITED TO THE IMPLIED WARRANTY OF MERCHANTABILITY AND THE WARRANTY OF FITNESS FOR A PARTICULAR PURPOSE, ARE HEREBY EXPRESSLY EXCLUDED AND DISCLAIMED BY ALLTRADE AND/OR ITS REPRESENTATIVES. PURCHASER KNOWINGLY AND WILLINGLY WAIVES ANY AND ALL SUCH WARRANTIES AND RIGHTS, CLAIMS AND/OR CAUSES OF ACTION ARISING THEREFROM OR BASED THEREON. PURCHASER'S SOLE AND EXCLUSIVE REMEDY IS AS STATED ABOVE.

Limitation Of Liability

IN NO EVENT SHALL ALLTRADE AND/OR ITS REPRESENTATIVE(S) BE LIABLE FOR INDIRECT, INCIDENTAL, SPECIAL AND/OR CONSEQUENTIAL DAMAGES OF ANY KIND ARISING OUT OF OR RELATED TO, DIRECTLY OR INDIRECTLY, ANY BREACH OF ANY PROVISION OF ANY AGREEMENT BETWEEN ALLTRADE AND/OR ITS REPRESENTATIVE(S) AND PURCHASER, ANY WARRANTY HEREUNDER, AND/OR THE EXISTENCE, DESIGN, MANUFACTURE, PURCHASE, USE AND/OR OPERATION OF ANY ITEM(S) SOLD HEREUNDER EVEN IF ALLTRADE AND/OR ITS

REPRESENTATIVE(S) HAS BEEN ADVISED OF THE POSSIBILITY OF ANY SUCH DAMAGES. IN NO EVENT, WHETHER AS A RESULT OF A BREACH OF CONTRACT, WARRANTY, TORT (INCLUDING NEGLIGENCE) OR OTHERWISE, SHALL ALLTRADE'S AND/OR ITS REPRESENTATIVE(S)' LIABILITY EXCEED THE PRICE OF THE PRODUCT. ANY AND ALL LIABILITY CONNECTED WITH THE USE OF THIS PRODUCT SHALL TERMINATE UPON THE EXPIRATION OF THE WARRANTY PERIODS SPECIFIED ABOVE.

Limitations on Warranty Disclaimers

Some states do not allow limitations on how long an implied warranty lasts and some states do not allow the exclusion or limitation of the incidental or consequential damages, so part or all of the above limitations or exclusions may not apply to you. This warranty gives you specific legal rights, and you may also have other rights which vary from state to state.

If your product is not covered by this warranty, please call our Customer Service Department toll free at 1-800-590-3723 for general repair information and charges.